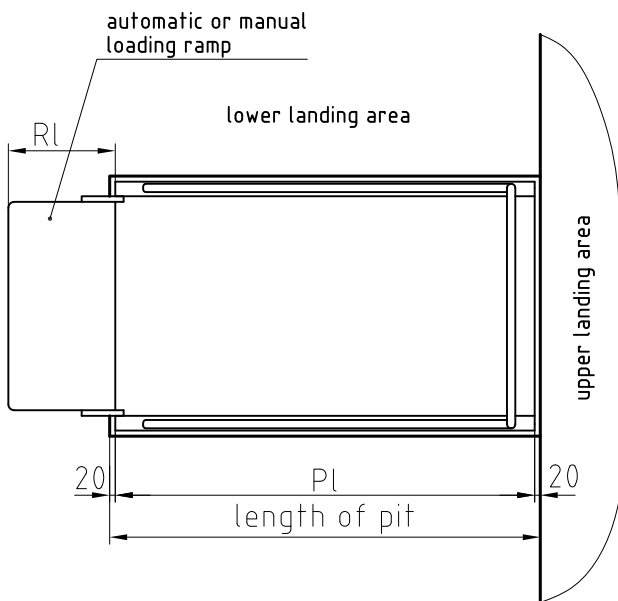
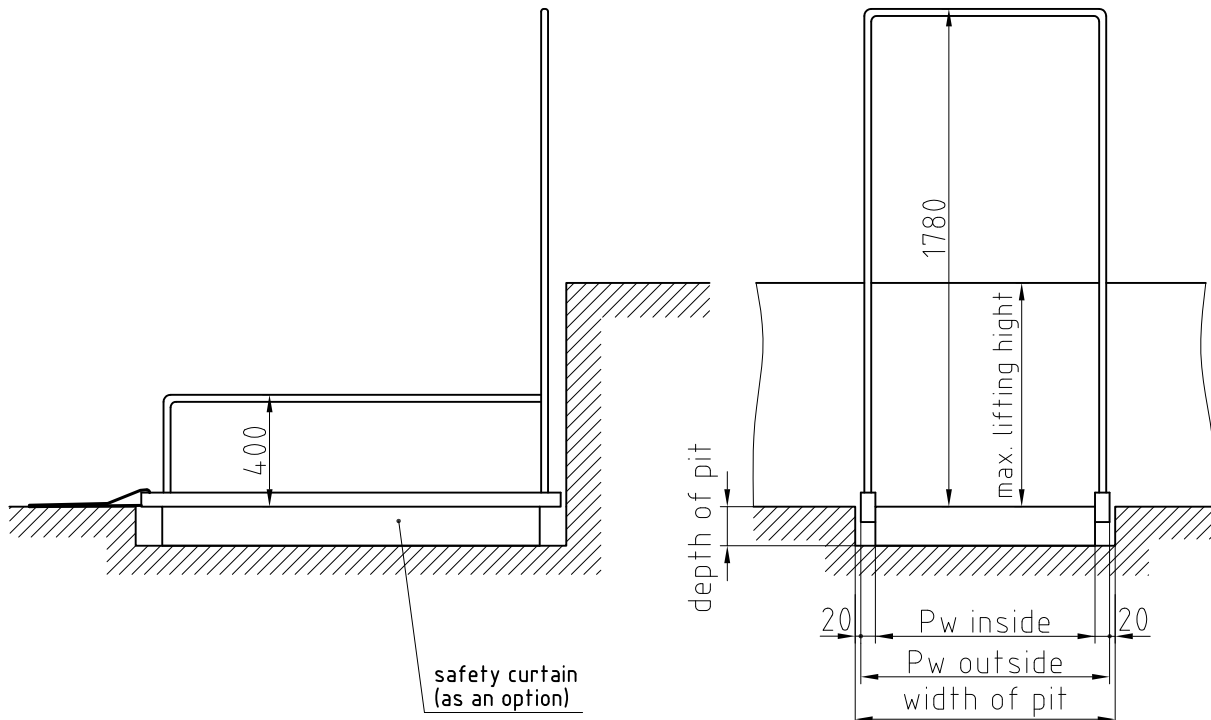


# Liftboy installation in pit



	Type 1	Type 2
max. lifting height	495mm	710mm
depth of pit ×)	100mm	120mm
width of pit	850mm	930mm
length of pit	1220mm	1545mm
(Pw) platform width inside (outside)	710mm (810mm)	785mm (890mm)
(Pl) platform length	1180mm	1505mm
(Rl) ramp length	410mm	485mm

×) if platform in lowest position is in level with lower landing